

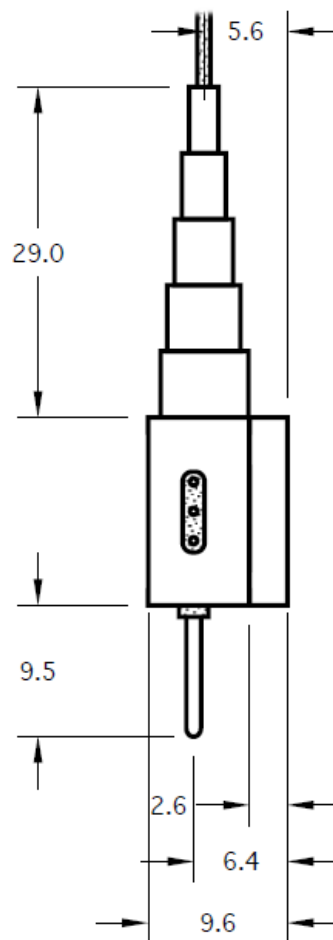
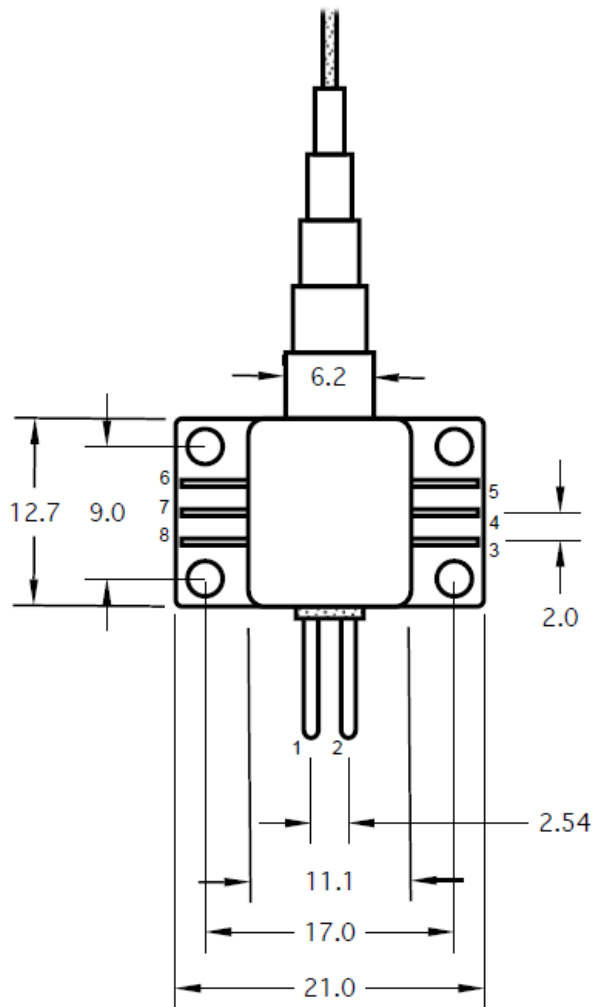
Minimum fiber size for this package is dependent on the emitter size of the laser diode. Minimum fiber sizes are:

- 50um emitter 200um fiber
- 100um emitter 400um fiber
- 150um emitter 400um fiber
- 200um emitter 400um fiber
- 300um emitter 600um fiber

Title: 9mm Fiber Coupled Package

LDX Optronics Inc

Date:



• **Standard Pin Assignment:**

1. Laser Anode (+)
2. Laser Cathode (-)
3. TEC +
4. Photodiode Anode
5. Photodiode Cathode
6. Thermistor
7. Thermistor
8. TEC -

• **Thermoelectric Cooler:**

2.5 Amps, 3.5 Volts max.

• **Thermistor Constants:**

A= 1.129 E-3  
 B= 2.341 E-4  
 C= 0.878 E-7

• **Thermistor Resistance:**

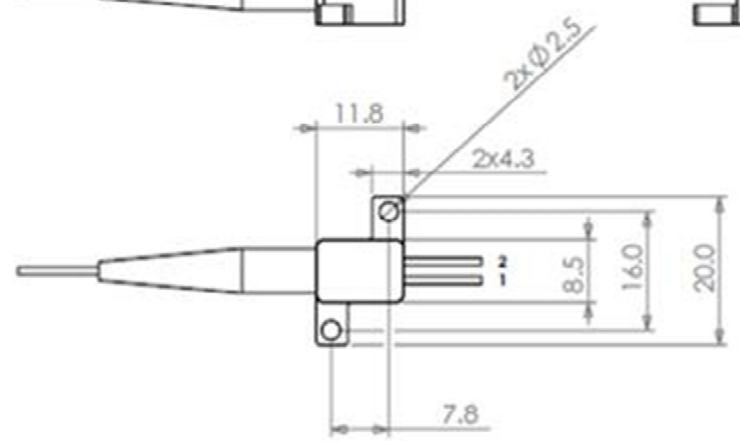
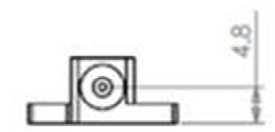
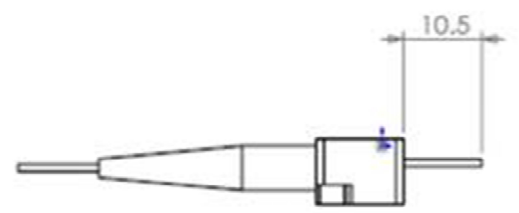
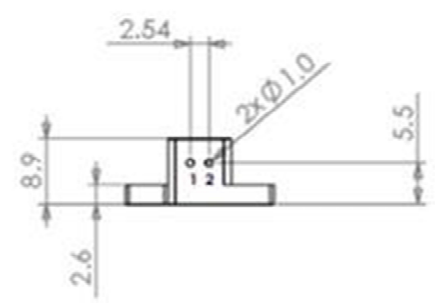
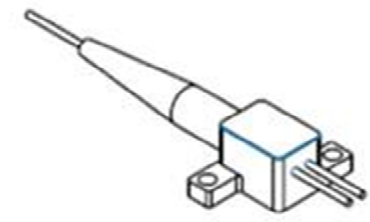
4.37 K $\Omega$  @ 45 °C  
 6.53 K $\Omega$  @ 35 °C  
 10.0 K $\Omega$  @ 25 °C  
 15.7 K $\Omega$  @ 15 °C  
 25.4 K $\Omega$  @ 5 °C

1. All dimensions in millimeters
2. Base: OFHC Copper
3. Small pins (x6) are 0.5mm dia., 2.0mm spacing
4. High-current pins (x2): 1.0mm dia., 2.54mm spacing

Title: 8-pin HHL Fiber Coupled package

LDX Optronics Inc

Date:

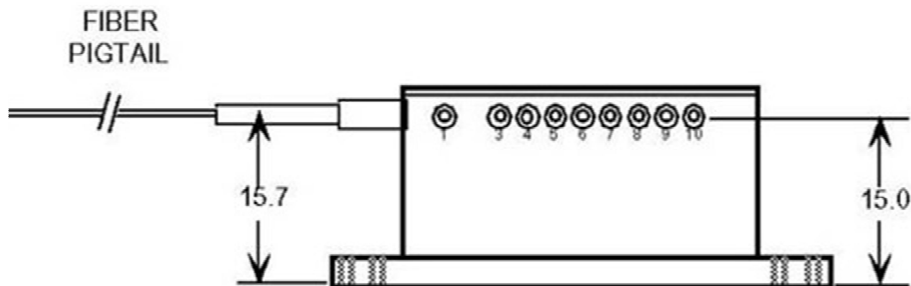
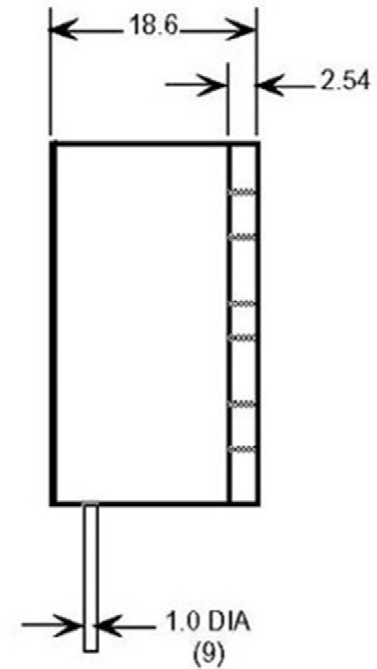
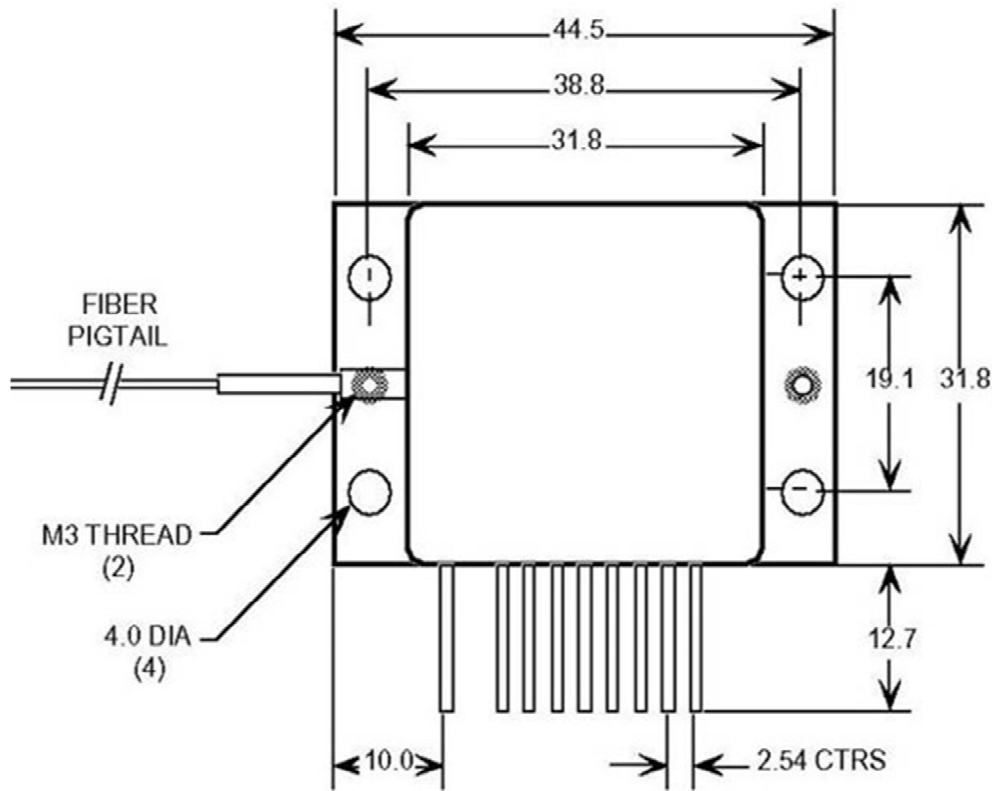


Note:  
1. Material: Base-Copper, Frame-Kovar.  
2. Pin #1: Anode(+)  
3. Pin #2: Cathode (-)

Title: 2-pin Fiber Coupled Package

LDX Optronics Inc

Date:



- |                        |                               |
|------------------------|-------------------------------|
| PIN 1: TEC (-)         | PIN 6: THERMISTOR             |
| PIN 2:                 | PIN 7: LASER CATHODE (-)      |
| PIN 3: CASE            | PIN 8: PHOTODIODE ANODE (+)   |
| PIN 4: LASER ANODE (+) | PIN 9: PHOTODIODE CATHODE (-) |
| PIN 5: THERMISTOR      | PIN 10: TEC (+)               |

- THERMOELECTRIC COOLER RATED 3.6 AMP, 9.0 VOLT MAXIMUM.
- THERMISTOR CONSTANTS:  $A=1.129 \text{ E-3}$ ,  $B=2.341 \text{ E-4}$ ,  $C=0.878 \text{ E-7}$
- THERMISTOR RESISTANCE:
 

10.0 K	@ 25 °C
12.5 K	@ 20 °C
15.7 K	@ 15 °C
19.9 K	@ 10 °C

Title: HHL Fiber Coupled Package

LDX Optronics Inc

Date: